



SOUTHER
Architectural
CAST STONE

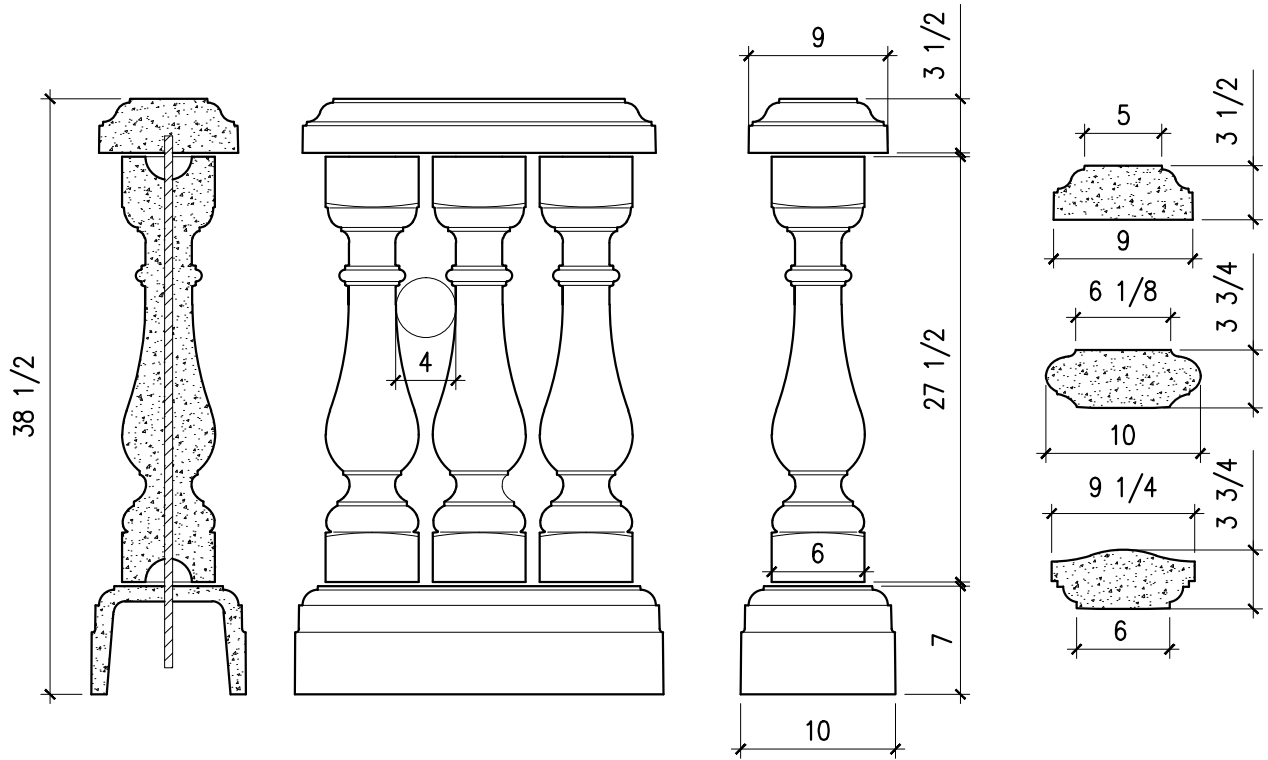
235 Via Del Monte
Oceanside, CA 92058
Tel: (760) 754-9697
Fax: (760) 754-0610
www.SoutherACS.com
Lic. #1001757

SOUTHER
Architectural
CAST STONE

BALUSTRADE



Balustrade 27C



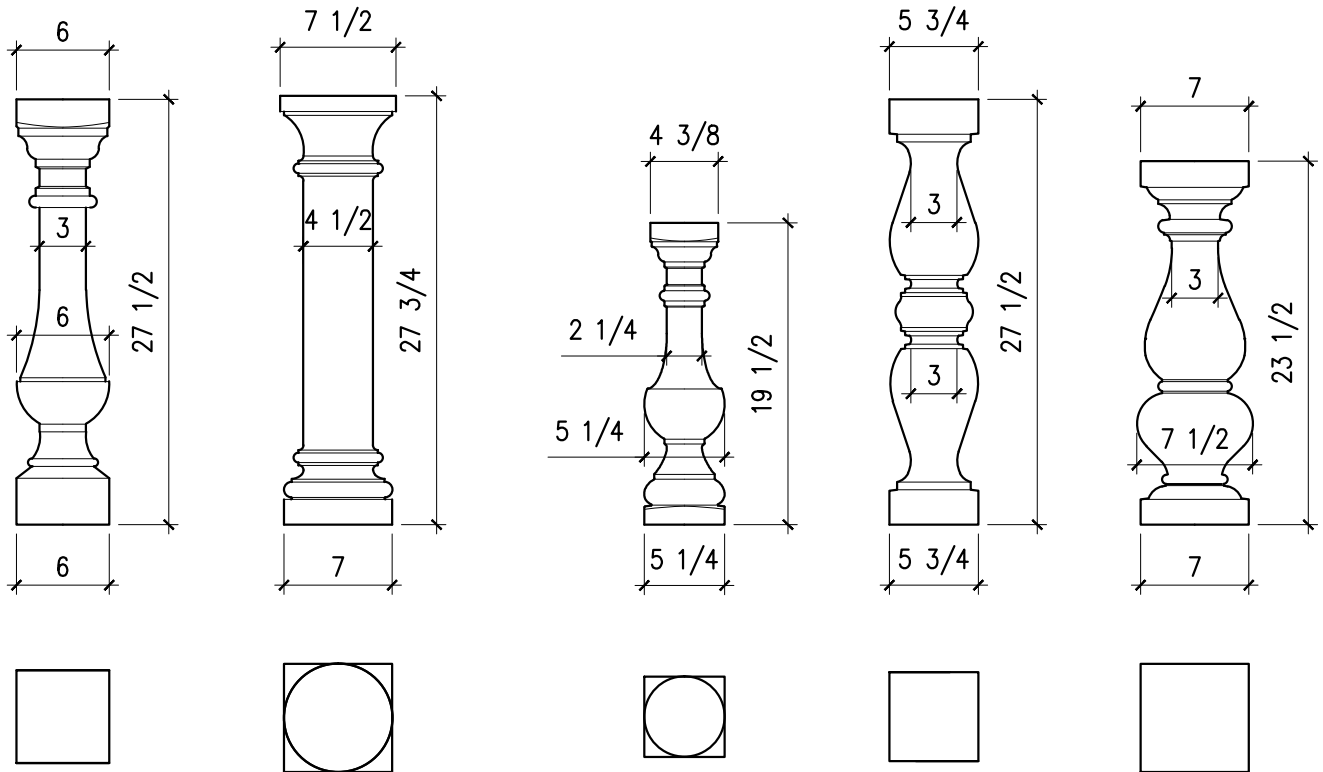
Cap Options

SCALE: 1"=1'-0"

SOUTHERN
Architectural
 CAST STONE

457'Xlc 'F gnlO qpvq''
 Qegcpulf g.'EC'; 427: ''
 Vgn'982+976/; 8; 9''
 Hcz<'982+976/2832''
 y y y (Uqwj gt CEUeqo ''
 Nk0%3223979

Standard Balusters (1)

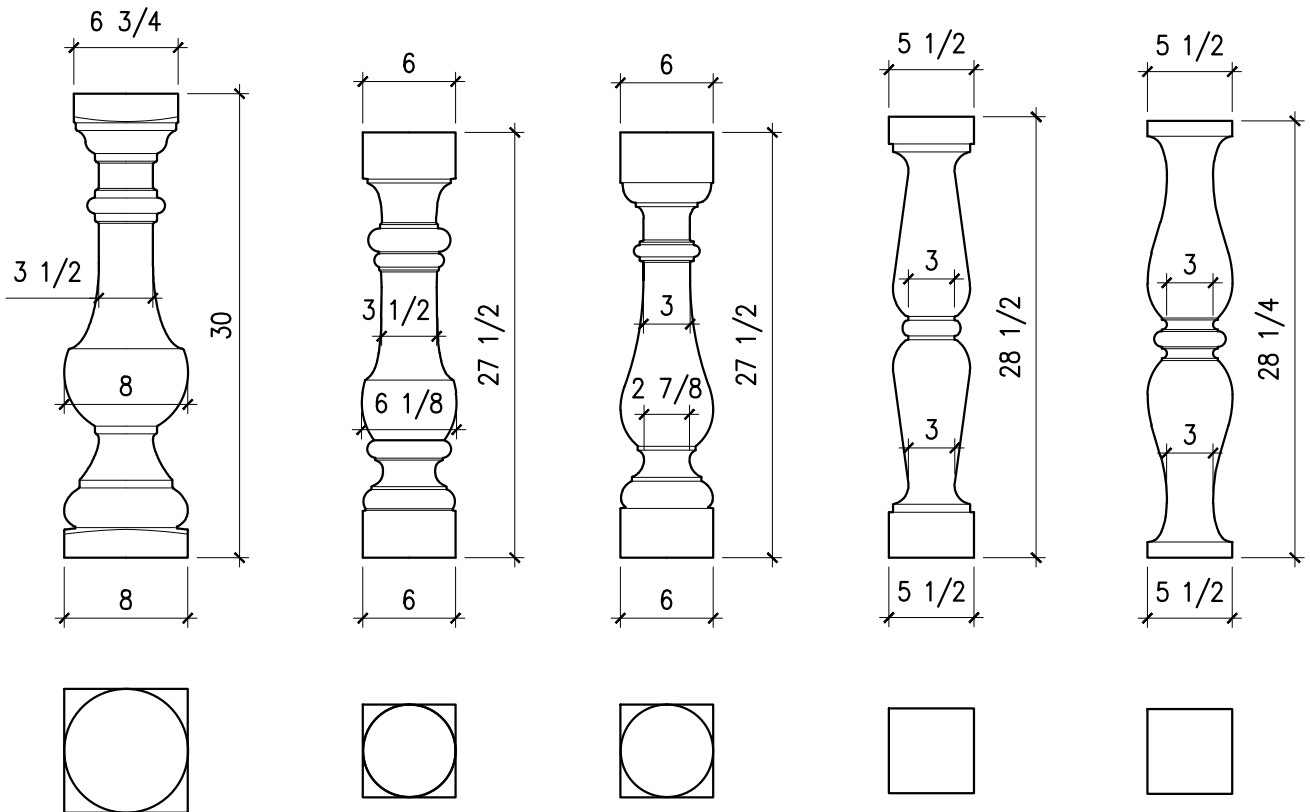


SCALE: 1"=1'-0"

SOUTHER
Architectural
 CAST STONE

235 Via Del Monte
 Oceanside, CA 92058
 Tel: (760) 754-9697
 Fax: (760) 754-0610
 www.SoutherACS.com
 Lic. #1001757

Standard Balusters (2)



SCALE: 1"=1'-0"

SOUTHER
Architectural
 CAST STONE

235 Via Del Monte
 Oceanside, CA 92058
 Tel: (760) 754-9697
 Fax: (760) 754-0610
 www.SoutherACS.com
 Lic. #1001757